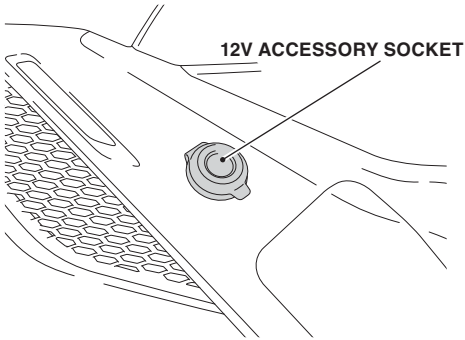
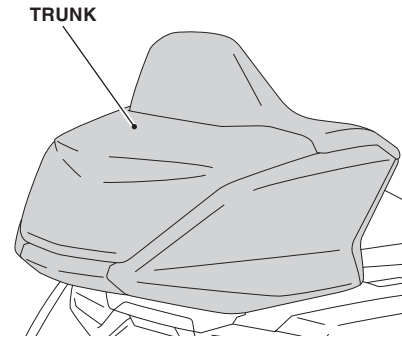


### 12V ACCESSORY SOCKET



- The maximum power rating of connected accessories is 120W (12V, 10A).
- Use accessories with engine running to avoid discharging the battery.
- Do not use a cigarette lighter, as this can cause a malfunction.
- Cover the socket with the cap when the accessory socket is not used to prevent entry of foreign objects.
- Do not use the accessory socket when the motorcycle is being washed.
- Carefully secure any connected devices, as vibrations or rainwater may cause them to shift unexpectedly.
- Make sure that the cable of device connected to the accessory socket does not disturb the steering operation or riding. Do not pinch the cable.

### TRUNK INSTALLATION KIT

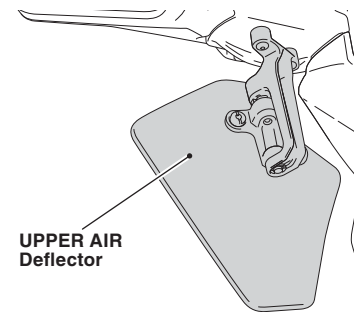


- The weight of the cargo must not exceed the following maximum load capacity:  
**20.0 lb (9.0 kg)**
- When this accessory becomes dirty, rinse it thoroughly with cool water to remove loose dirt, then wipe with a clean cloth or sponge.  
Do not use a brush to clean this accessory as it may scratch the surface.
- Never use organic solvents such as gasoline, thinner and benzine to clean this accessory. Also do not use acid or alkaline cleaners to clean this accessory.  
Wipe up spilled brake or battery fluid at once as they may damage the surface.
- Be careful not to pinch stored items when closing the trunk.
- Make sure the trunk is closed before riding.

#### HOW TO USE THE TRUNK

- For operating instruction, see the motorcycle Owner's Manual.

### UPPER AIR Deflector



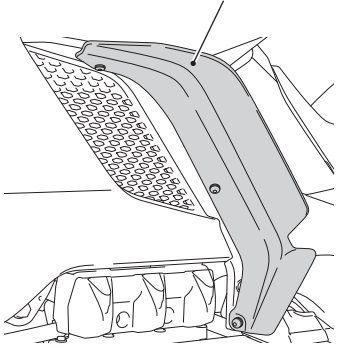
- When this accessory becomes dirty, rinse it thoroughly with cool water to remove loose dirt, then wipe with a clean cloth or sponge.  
Do not use a brush to clean this accessory as it may scratch the surface.
- Never use organic solvents such as gasoline, thinner and benzine to clean this accessory. Also do not use acid or alkaline cleaners to clean this accessory.  
Wipe up spilled brake or battery fluid at once as they may damage the surface.
- Handle this accessory with care.  
It can be damaged when it is bent excessively or is subject to strong shock or impact.

# GL1800/D/DA/B/BD

## Genuine Accessory User's Guide

### LOWER AIR DEFLECTOR

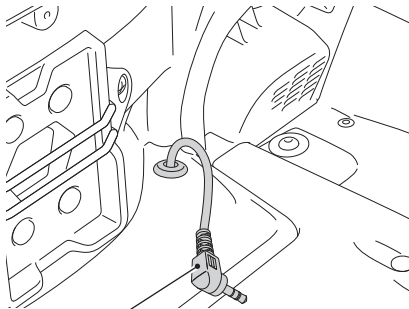
LOWER AIR DEFLECTOR



- When this accessory becomes dirty, rinse it thoroughly with cool water to remove loose dirt, then wipe with a clean cloth or sponge. Do not use a brush to clean this accessory as it may scratch the surface.
- Never use organic solvents such as gasoline, thinner and benzine to clean this accessory. Also do not use acid or alkaline cleaners to clean this accessory.
- Wipe up spilled brake or battery fluid at once as they may damage the surface.
- Handle this accessory with care. It can be damaged when it is bent excessively or is subject to strong shock or impact.

### 3.5 mm AUXILIARY CORD

<GL1800DA>



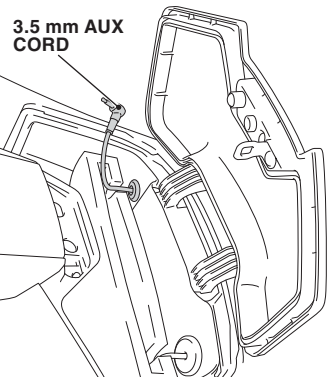
3.5 mm AUX CORD

- Some portable audio systems may pick up noise from the ignition.
- Adjust the volume of the portable audio system so that is about the same level as the GL's radio volume. If the volume of the portable audio system is set too high, the sound coming out from the speakers or headset may be distorted.
- Do not leave your device in the vehicle (trunk or shelter case, etc.). High heat will damage it.
- Read precaution statements on the provided instructions of your device.
- We recommend backing up your data before playing it.
- We recommend covering your devices with an audio pouch, or soft fabric or cover to protect it from damage.
- Be careful to not get the AUX cord wet.
- Do not connect incompatible devices.

#### HOW TO USE THE AUX CORD

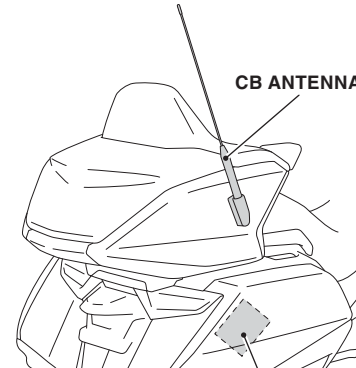
1. Open the trunk or shelter case.
2. Connect your portable audio system to the AUX cord.
3. Store your portable audio system in the trunk or shelter case.
4. Close the trunk or shelter case.
5. Select the audio output device.
6. Press SOURCE switch to select [AUX].

<GL1800/B/BD/D>



3.5 mm AUX CORD

### CB RADIO

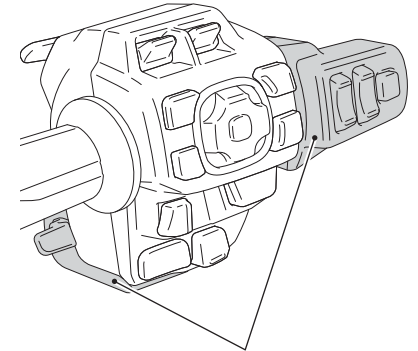


CB ANTENNA

CB RADIO

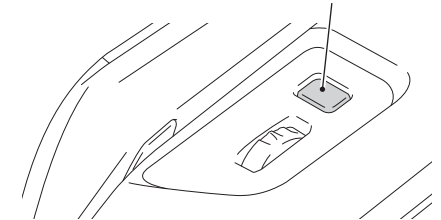
#### HOW TO USE THE CB RADIO

- For operating instruction, refer to the CB radio User's Guide.

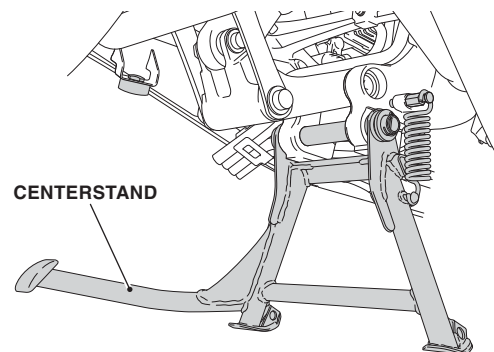


CB RADIO CONTROLLER

#### PASSENGER PUSH-TO-TALK SWITCH



### CENTERSTAND

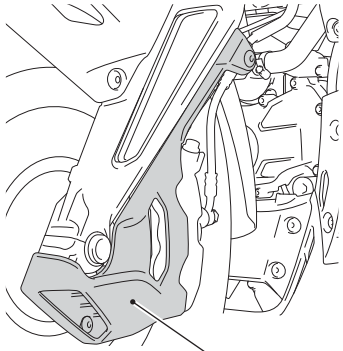


CENTERSTAND

#### HOW TO USE THE CENTERSTAND

- For operating instruction, refer to the motorcycle Owner's Manual.

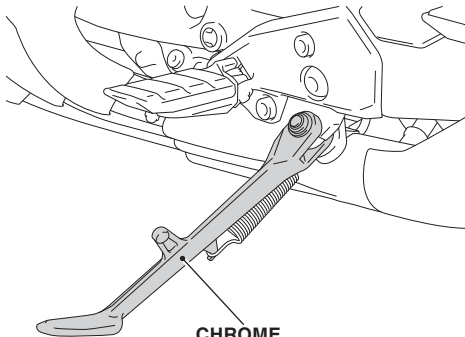
### BLACK/CHROME FRONT CALIPER COVER



FRONT CALIPER COVER

- When this accessory becomes dirty, rinse it thoroughly with cool water to remove loose dirt, then wipe with a clean cloth or sponge.  
Do not use a brush to clean this accessory as it may scratch the surface.
  - Never use organic solvents such as gasoline, thinner and benzine to clean this accessory. Also do not use acid or alkaline cleaners to clean this accessory.
- Wipe up spilled brake or battery fluid at once as they may damage the surface.

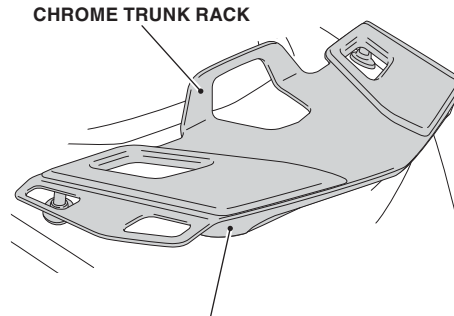
### CHROME SIDESTAND



CHROME SIDESTAND

- When this accessory becomes dirty, rinse it thoroughly with cool water to remove loose dirt, then wipe with a clean cloth or sponge.  
Do not use a brush to clean this accessory as it may scratch the surface.
  - Never use organic solvents such as gasoline, thinner and benzine to clean this accessory. Also do not use acid or alkaline cleaners to clean this accessory.
- Wipe up spilled brake or battery fluid at once as they may damage the surface.

### CHROME TRUNK RACK / LED BRAKE LIGHT



CHROME TRUNK RACK

LED BRAKE LIGHT

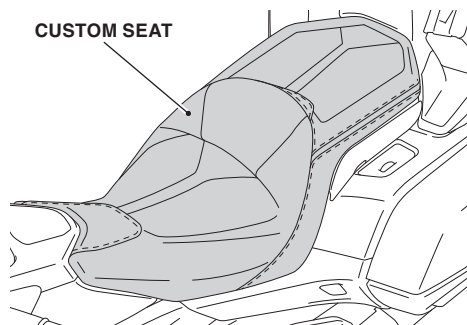
#### CHROME TRUNK RACK

- The weight of the cargo must not exceed the following maximum load capacity:  
**5.0 lb (2.3 kg)**
  - When this accessory becomes dirty, rinse it thoroughly with cool water to remove loose dirt, then wipe with a clean cloth or sponge.  
Do not use a brush to clean this accessory as it may scratch the surface.
  - Never use organic solvents such as gasoline, thinner and benzine to clean this accessory. Also do not use acid or alkaline cleaners to clean this accessory.
- Wipe up spilled brake or battery fluid at once as they may damage the surface.
- Do not open and close the trunk lid by holding this accessory.

#### LED BRAKE LIGHT

- The LED brake light uses several LEDs. If there is a LED which is not turned on, see your dealer for servicing.

### CUSTOM SEAT



CUSTOM SEAT

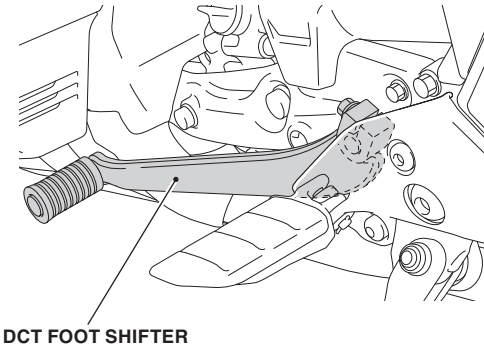
- When this accessory becomes dirty, rinse it thoroughly with cool water to remove loose dirt, then wipe with a clean cloth or sponge.  
Do not use a brush to clean this accessory as it may scratch the surface.
  - Never use organic solvents such as gasoline, thinner and benzine to clean this accessory. Also do not use acid or alkaline cleaners to clean this accessory.
- Wipe up spilled brake or battery fluid at once as they may damage the surface.

# GL1800/D/DA/B/BD

## Genuine Accessory User's Guide

### DCT FOOT SHIFTER

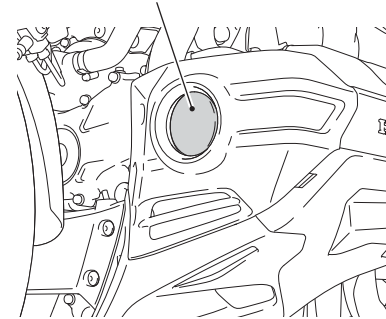
- Do not disassemble the DCT foot shifter.



DCT FOOT SHIFTER

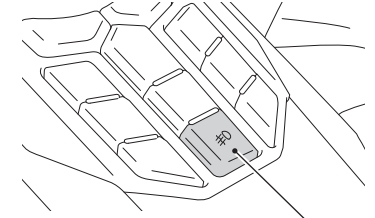
### LED FOG LIGHTS

LED FOG LIGHT



### HOW TO USE THE FOG LIGHT SWITCH

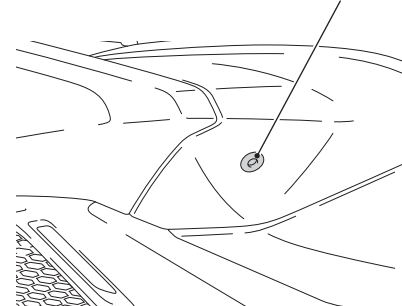
- When the ignition switch is ON and the fog light switch is pressed, a fog lights come on.
- When the fog light switch is pressed again, the fog lights are turned off.



FOG LIGHT SWITCH

### LED ENTRY LIGHTS

LED ENTRY LIGHT



- Lights for 30 seconds (including a two second dimming) after the authorization is performed between the motorcycle and the Honda SMART key or the answer back button on the Honda SMART key is pressed.
- Lights for 30 seconds (including a two second dimming) after stopping your motorcycle and turning the ignition switch OFF.
- Entry light will go out when the ignition switch is turned to ON.
- Press the answer back button on the Honda SMART key while lights are dimming to extend the lighting for another 30 seconds.
- If you leave your motorcycle after turning the ignition switch OFF, you may go back and the Honda smart key is still authorized to extend the lighting for 30 seconds.
- Entry lighting is disabled after the lights have been completely off for 10 minutes, even if the Honda SMART key is authorized.

### OPERATING INSTRUCTIONS

- The accessory gear change pedal can do the same operations as N switch, D switch, shift up switch (+) and shift down switch (-).
- Only the operating instructions of gear change pedal are described in this manual. Please make sure that you also read the motorcycle Owner's Manual.

#### <When Stopping>

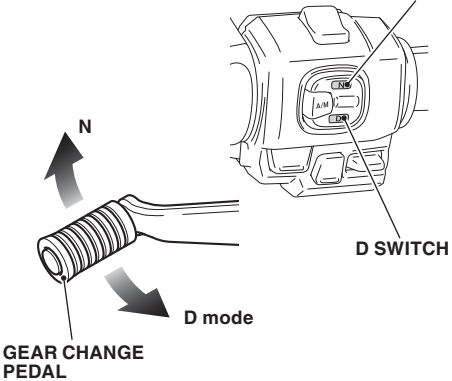
- Lower the gear change pedal from neutral (N) to switch to D mode.
- Raise the gear change pedal to switch to neutral (N).

#### <When Riding>

- Raise the gear change pedal to shift up a gear and lower the gear change pedal to shift down a gear.
- Gear shifts cannot be made when operating the gear change pedal while also pressing the shift switch.

N SWITCH

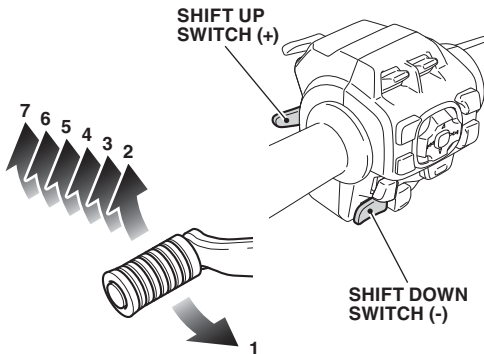
D SWITCH



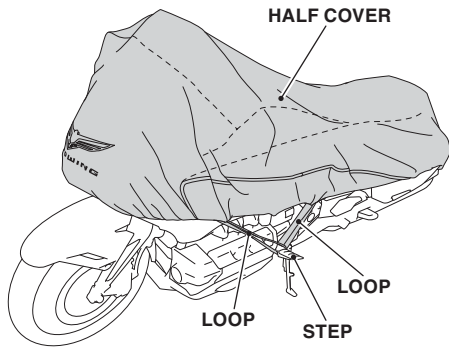
GEAR CHANGE PEDAL

SHIFT UP SWITCH (+)

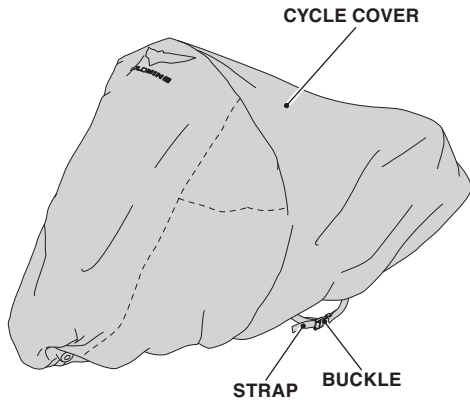
SHIFT DOWN SWITCH (-)



### CYCLE COVERS



- Let the engine and exhaust muffler cool thoroughly before using the cycle cover.
- Remove dust adhered to your motorcycle and the back side of cover with a feather duster or a soft cloth before using the cycle cover.
- This cover is not perfect waterproof. Your motorcycle may get wet under the heavy or long rainfall.
- Dry your motorcycle and the motorcycle cover well before using the cover. Using the cover while wet may damage your motorcycle and the cover.
- Dry the motorcycle cover in shade.
- Do not leave your motorcycle with the cover at a high temperature. It may cause unexpected damage such as thermal deformation of the windscreen.

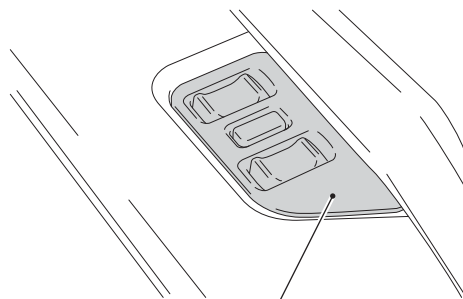


- Do not cover the motorcycle when using an exposed trailer or in a strong wind. Fluttering by wind may damage the painted surface of your motorcycle.

#### HOW TO USE THE CYCLE COVER

1. Put the cycle cover on the motorcycle.
2. Deploy the loops (half cover), or attach the left and right buckles (cycle cover and pull the strap).

### PASSENGER AUDIO SWITCH

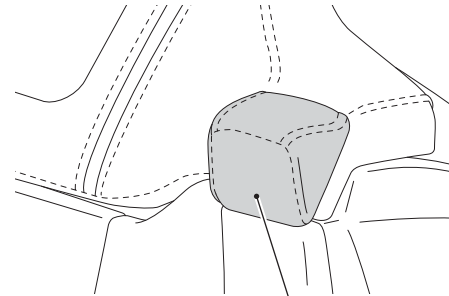


PASSENGER AUDIO SWITCH

#### HOW TO USE THE PASSENGER AUDIO SWITCH

- The passenger audio switch duplicates the functions of the VOL lever on the left handle bar, 4-way key switch (◀◀, ▶▶) and the SOURCE switch.
- The passenger audio switch cannot operate the TRACK function of Apple CarPlay.

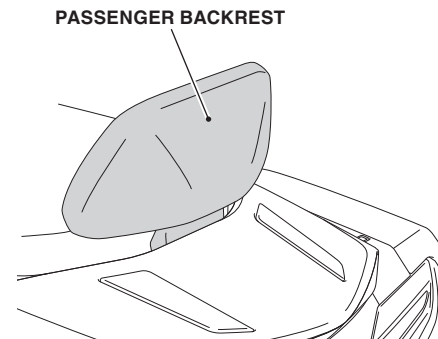
### PASSENGER ARMREST



PASSENGER ARMREST

- When this accessory becomes dirty, rinse it thoroughly with cool water to remove loose dirt, then wipe with a clean cloth or sponge.  
Do not use a brush to clean this accessory as it may scratch the surface.
- Never use organic solvents such as gasoline, thinner and benzene to clean this accessory. Also do not use acid or alkaline cleaners to clean this accessory.  
Wipe up spilled brake or battery fluid at once as they may damage the surface.

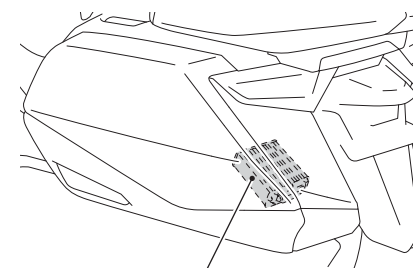
### PASSENGER BACKREST



PASSENGER BACKREST

- When this accessory becomes dirty, rinse it thoroughly with cool water to remove loose dirt, then wipe with a clean cloth or sponge.  
Do not use a brush to clean this accessory as it may scratch the surface.
- Never use organic solvents such as gasoline, thinner and benzene to clean this accessory. Also do not use acid or alkaline cleaners to clean this accessory.  
Wipe up spilled brake or battery fluid at once as they may damage the surface.

### POWER AMPLIFIER



POWER AMPLIFIER

- Use accessories with engine running to avoid discharging the battery.

#### AMPLIFIER

- Rated output: 55W × 4ch

#### SPEAKER

- Rated output: 55W

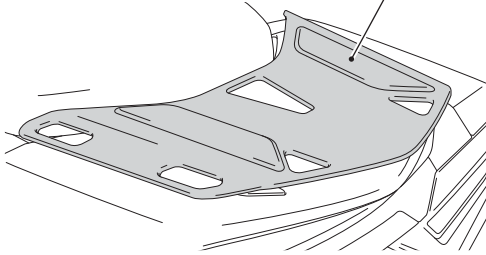


# GL1800/D/DA/B/BD

## Genuine Accessory User's Guide

### REAR CARRIER

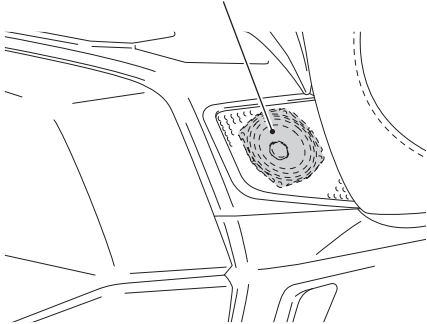
REAR CARRIER



- The weight of the cargo must not exceed the following maximum weight capacity:  
**6.6 lb (3.0 kg)**
- When this accessory becomes dirty, rinse it thoroughly with cool water to remove loose dirt, then wipe with a clean cloth or sponge.  
Do not use a brush to clean this accessory as it may scratch the surface.
- Never use organic solvents such as gasoline, thinner and benzene to clean this accessory. Also do not use acid or alkaline cleaners to clean this accessory.  
Wipe up spilled brake or battery fluid at once as they may damage the surface.

### REAR SPEAKER

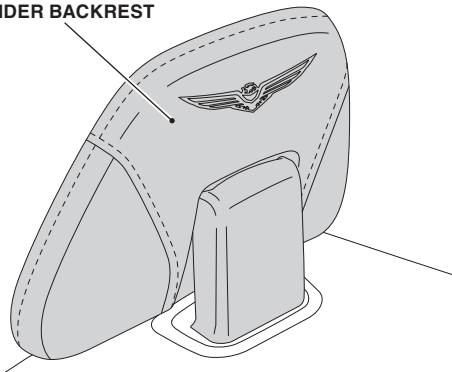
REAR SPEAKER



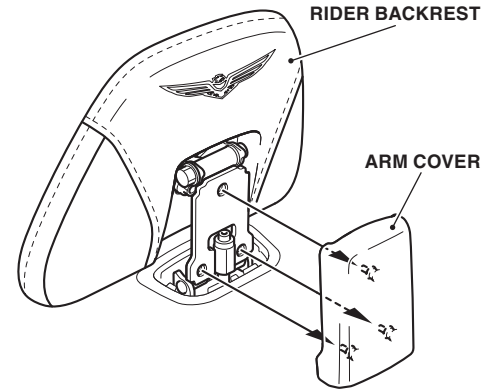
- Rated input: 25W

### RIDER BACKREST

RIDER BACKREST

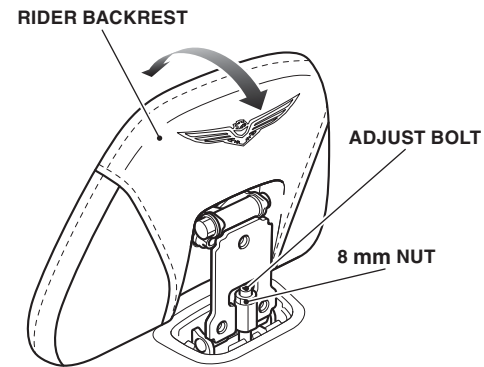


- When this accessory becomes dirty, rinse it thoroughly with cool water to remove loose dirt, then wipe with a clean cloth or sponge.  
Do not use a brush to clean this accessory as it may scratch the surface.
- Never use organic solvents such as gasoline, thinner and benzene to clean this accessory. Also do not use acid or alkaline cleaners to clean this accessory.  
Wipe up spilled brake or battery fluid at once as they may damage the surface.



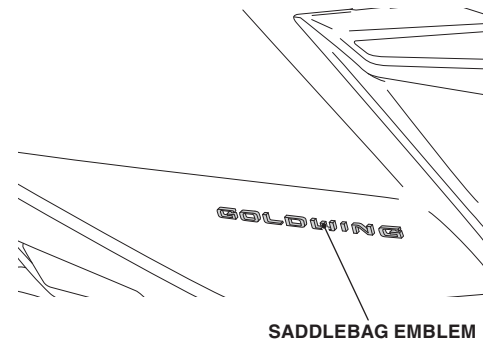
### ADJUST THE RIDER BACKREST

1. Remove the arm cover as shown.



2. Loosen the adjust bolt and 8 mm nut.
  - **Adjust the position of the rider backrest with the adjust bolt and tighten the 8 mm nut.**
3. Install the arm cover in the reverse order of removal.

### SADDLEBAG EMBLEM

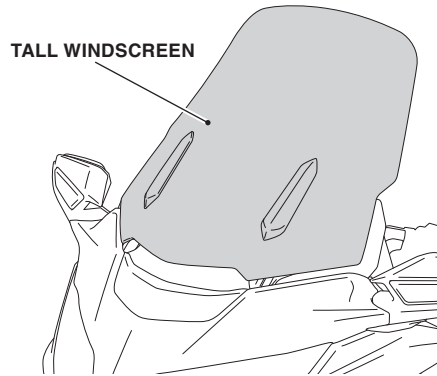


- When this accessory becomes dirty, rinse it thoroughly with cool water to remove loose dirt, then wipe with a clean cloth or sponge.  
Do not use a brush to clean this accessory as it may scratch the surface.
- Never use organic solvents such as gasoline, thinner and benzene to clean this accessory. Also do not use acid or alkaline cleaners to clean this accessory.  
Wipe up spilled brake or battery fluid at once as they may damage the surface.

# GL1800/D/DA/B/BD

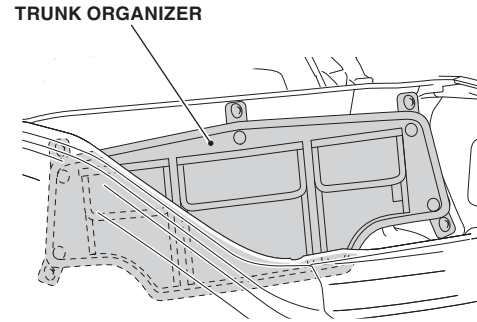
## Genuine Accessory User's Guide

### TALL WINDSCREEN



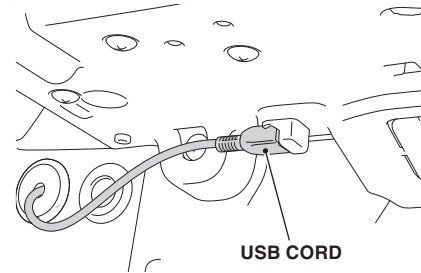
- Reduce speed when running in strong wind.
- Replace this accessory with a new one if it is damaged or discolored excessively.
- When this accessory becomes dirty, rinse it thoroughly with cool water to remove loose dirt, then wipe with a clean cloth or sponge.  
Do not use a brush to clean this accessory as it may scratch the surface.
- Never use organic solvents such as gasoline, thinner and benzine to clean this accessory. Also do not use acid or alkaline cleaners to clean this accessory.  
Wipe up spilled brake or battery fluid at once as they may damage the surface.
- If the motorcycle is left covered for an extended period of time, park in the shade. Parking a covered motorcycle in direct sunlight can cause the windscreen to deform due to heat buildup under the cover.
- Handle this accessory with care.  
It can be damaged when it is bent excessively or is subject to strong shock or impact.
- Select a firm, level surface when you park the motorcycle.  
Also bear in mind that strong wind can cause the motorcycle to topple to the ground.

### TRUNK ORGANIZER



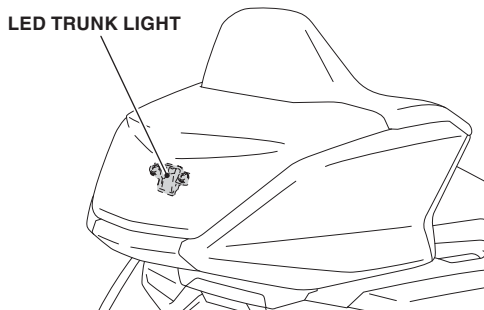
- The weight of the cargo must not exceed the following maximum load capacity:  
**1.0 lb (0.45 kg)**

### USB CORD



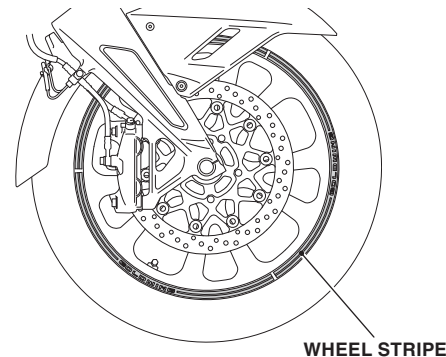
- This can be used for charging of electric devices, etc.
- Apple CarPlay is not available through USB.
- Be careful not to tangle the cord with stored items when closing the saddlebag.
- Make sure the saddlebag is closed before riding.

### LED TRUNK LIGHT



- Lights when the trunk lock is released.
- Be careful not to pinch stored items when closing the trunk.

### WHEEL STRIPES



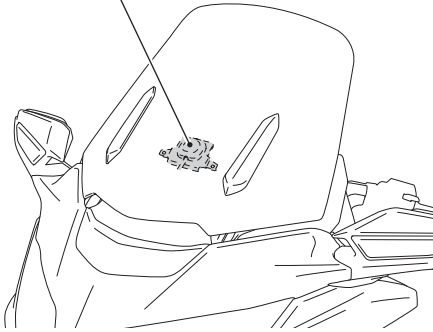
- When this accessory becomes dirty, rinse it thoroughly with cool water to remove loose dirt, then wipe with a clean cloth or sponge.  
Do not use a brush to clean this accessory as it may scratch the surface.
- Never use organic solvents such as gasoline, thinner and benzine to clean this accessory. Also do not use acid or alkaline cleaners to clean this accessory.  
Wipe up spilled brake or battery fluid at once as they may damage the surface.
- Do not wash the motorcycle with a high-pressure washer, as this may peel off the wheel stripes.

# GL1800/D/DA/B/BD

## Genuine Accessory User's Guide

### SiriusXM® ANTENNA

#### SiriusXM® RADIO ANTENNA



#### HOW TO USE THE SiriusXM® RADIO

- For operating instruction, refer to the SiriusXM® RADIO User's Guide.

### HomeLink®

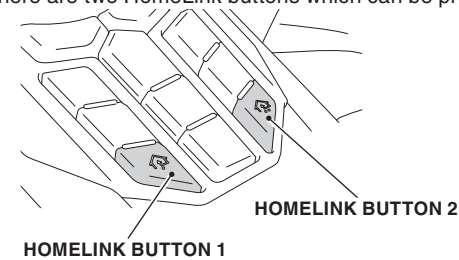
- The HomeLink® Wireless Control System provides a convenient way to replace up to two hand-held radio- frequency remotes used to activate devices such as gate operators, garage door openers, security systems, even home lighting. The below steps are generic programming instructions. Please note that 310MHz Sommer and Direct Drive garage door openers (marked with TX03-310 on the back of the hand held transmitter) require unique training process described at HomeLink website. Additional information and programming videos can be found at [www.HomeLink.com](http://www.HomeLink.com) and [www.youtube.com/HomeLinkGentex](http://www.youtube.com/HomeLinkGentex).

#### PRECAUTIONS!

- Before programming HomeLink to a garage door opener or gate operator, make sure that people and objects are out of the way of the device to prevent potential harm or damage. When programming a garage door opener, it is advised to park outside of the garage. Do not use HomeLink with any garage door opener that lacks safety stop and reverse features as required by U.S. federal safety standards (this includes any garage door opener model manufactured before April 1, 1982). A garage door that cannot detect an object signaling the door to stop and reverse does not meet current U.S. federal safety standards. It is also recommended that a new battery be placed in the hand-held remote (garage door opener remote) of the device for quicker and more accurate training. The ignition switch on your motorcycle should be turned on for programming and/or operation of HomeLink.
- Keep the hand-held remote (garage door opener remote) of the device you are programming for use in other vehicles as well as for future HomeLink programming. It is also suggested that upon the sale of the vehicle, the programmed HomeLink buttons be erased for security purposes. Refer to "Erasing HomeLink Buttons".

#### PROGRAMMING A NEW HOMELINK BUTTON

- There are two HomeLink buttons which can be programmed to control two compatible RF devices.



1. Press and release the HomeLink button that you would like to program. The HomeLink indicator light in the instrument panel will flash slowly (if not, refer to "Erasing HomeLink Buttons").

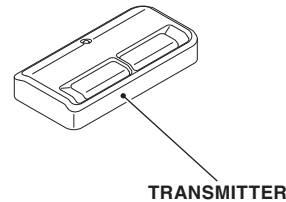
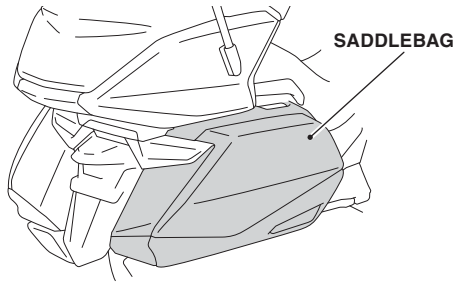




# GL1800/D/DA/B/BD

## Genuine Accessory User's Guide

2. Position the hand-held remote (garage door opener remote) 1–3 inches (2–8 cm) away from top middle section of the right saddlebag where the actual HomeLink module is located.



3. While the HomeLink indicator light in the instrument panel is flashing slowly, press and hold the hand-held remote button. Continue pressing the hand-held remote button until the HomeLink indicator light changes from slow to solid or rapid flashing. The change in flashing indicates the frequency signal has been learned. You may now release the hand-held remote button.

**Note:** Some devices may require you to replace this “Programming a New HomeLink Button” step 3 with procedures noted in the “Gate Operator / Canadian Programming” section.

4. Press the HomeLink button that you just programmed and observe the indicator light.
  - If the indicator light remains constant green, your device should operate when the HomeLink button is pressed. At this point, if your device operates, programming is complete.
  - If the indicator light rapidly flashes green, firmly press, hold for two seconds and release the HomeLink button up to three times to complete the programming process. At this point if your device operates, programming is complete. If the device does not operate, continue with the next step of the programming instructions.
5. At the garage door opener motor, (security gate motor, etc...) locate the “Learn”, “Smart”, or “Program” button. This can usually be found where the hanging antenna wire is attached to the motor-head unit (see the device’s manual to identify this button). The name and color of the button may vary by manufacturer.

**Note:** A ladder and/or second person may simplify the following steps.
6. Firmly press and release the “Learn”, “Smart”, or “Program” button.

**You now have 30 seconds in which to complete step 7.**
7. Return to the vehicle and firmly press, hold for two seconds and release the HomeLink button up to three times. At this point programming is complete and your device should operate when the HomeLink button is pressed and released.

### GATE OPERATOR / CANADIAN PROGRAMMING

- Canadian radio-frequency laws require transmitter remote signals to “time-out” (or quit) after several seconds of transmission, which may not be long enough for HomeLink to pick up the signal during programming. Similar to this Canadian law, some U.S. gate operators are designed to “time-out” in the same manner. The indicator LED on the hand-held remote will go off when the device times out, indicating that it has finished transmitting.
- If you live in Canada or you are having difficulties programming a gate operator or garage door opener by using the programming procedures, replace “Programming a New HomeLink Button” step 3 with the following:
- While the HomeLink indicator light is flashing slowly, press and release (“cycle”) your device’s hand-held remote every two seconds until the HomeLink indicator light changes from slow to solid or rapid flashing. You may now release the hand-held remote button.

**Note:** If programming a garage door opener or gate operator, it is advised to unplug the device during the “cycling” process to prevent possible overheating.

- Proceed with step 4 “Programming a New HomeLink Button” to continue with the programming process.

### USING HOMELINK

- To operate, simply press and release the programmed HomeLink button. Activation will now occur for the trained device (i.e. garage door opener, gate operator, security system, home/office lighting, etc.). For convenience, the hand-held remote of the device may also be used at any time.

### ERASING HOMELINK BUTTONS

- To erase programming from both HomeLink buttons (individual buttons cannot be erased but can be “reprogrammed” as outlined below), follow the step noted:
- Press and hold the two HomeLink buttons for at least 10 seconds. The LED indicator will change from continuously lit to rapidly flashing. Release both buttons. Do not hold for longer than 20 seconds. HomeLink is now ready to be programmed at any time beginning with “Programming a New HomeLink Button” - step 1.

### REPROGRAMMING A SINGLE HOMELINK BUTTON

- To program a previously trained button, follow these steps:
  1. Press and hold the desired HomeLink button. DO NOT release the button.
  2. The indicator light will begin to slowly flash after 20 seconds. The HomeLink button can be released at this point. Proceed with “Programming a New HomeLink Button” - step 3.
  3. If you do not complete the programming of a new device to the button, it will revert to the previously stored programming.
- In the event that there are still programming difficulties or questions, additional HomeLink information and programming videos can be found at [www.HomeLink.com](http://www.HomeLink.com) and [www.youtube.com/HomeLinkGentex](http://www.youtube.com/HomeLinkGentex), or by calling the toll-free HomeLink hotline at 1-800-355-3515.

# GL1800/D/DA/B/BD

## Genuine Accessory User's Guide

### MEMO

#### FCC (USA) AND ISED (CANADA)

- This device complies with FCC rules part 15 and Innovation, Science, and Economic Development Canada RSS-210. Operation is subject to the following two conditions: (1) This device may not cause harmful interference, and (2) This device must accept any interference that may be received including interference that may cause undesired operation. **WARNING:** The transmitter has been tested and complies with FCC and ISED rules. Changes or modifications not expressly approved by the party responsible for compliance could void the user's authority to operate the device.
- This equipment complies with FCC and ISED radiation exposure limits set forth for an uncontrolled environment. End Users must follow the specific operating instructions for satisfying RF exposure compliance. This transmitter must be at least 20 cm from the user and must not be co-located or operating in conjunction with any other antenna or transmitter.

\*HomeLink® and the HomeLink House® logo are registered trademarks of Gentex Corporation.